

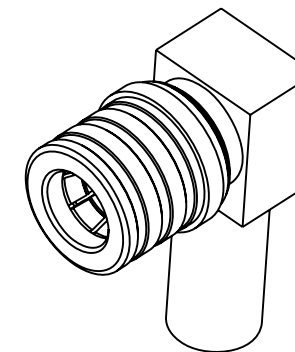
NOTES:

- MATERIALS AND FINISHES:
 - CONTACT - BRASS - GOLD PLATED
 - BODY - BRASS - ALBALOY PLATED
 - SLEEVE - BRASS - ALBALOY PLATED
 - FERRULE - BRASS - ALBALOY PLATED
 - CAP - BRASS - ALBALOY PLATED
 - OUTER CONTACT - PHOSPHOR BRONZE - ALBALOY PLATED
 - INSULATOR - PTFE - NATURAL
- ELECTRICAL:
 - A. IMPEDANCE: 50 OHM
 - B. DIELECTRIC WITHSTANDING VOLTAGE: 1000 VRMS, MIN.
- MECHANICAL:
 - A. DURABILITY: 500 CTCLES MIN.
 - B. TEMPERATURE RANGE: -65°C TO +165°C
- CRIMPED FERRULE
HEX. CRIMP SIZE .213"
- CONTACT PIN TO SOLDER

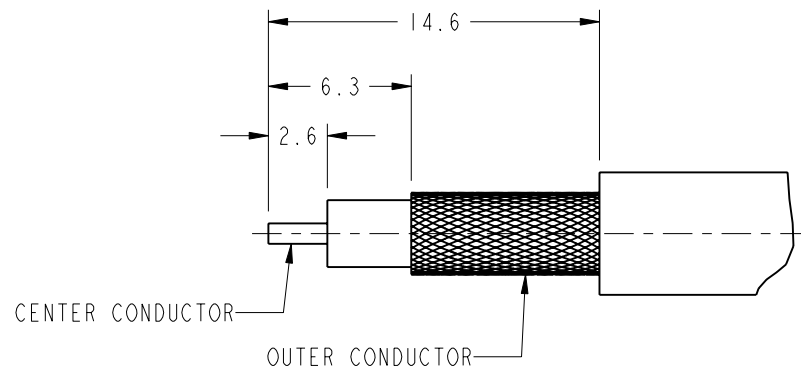
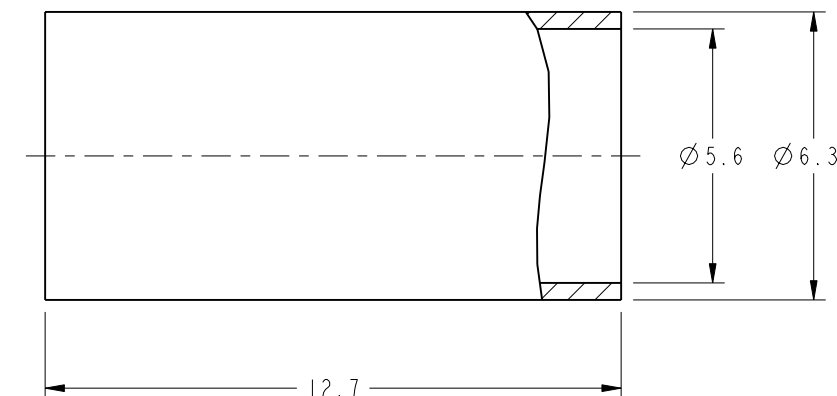
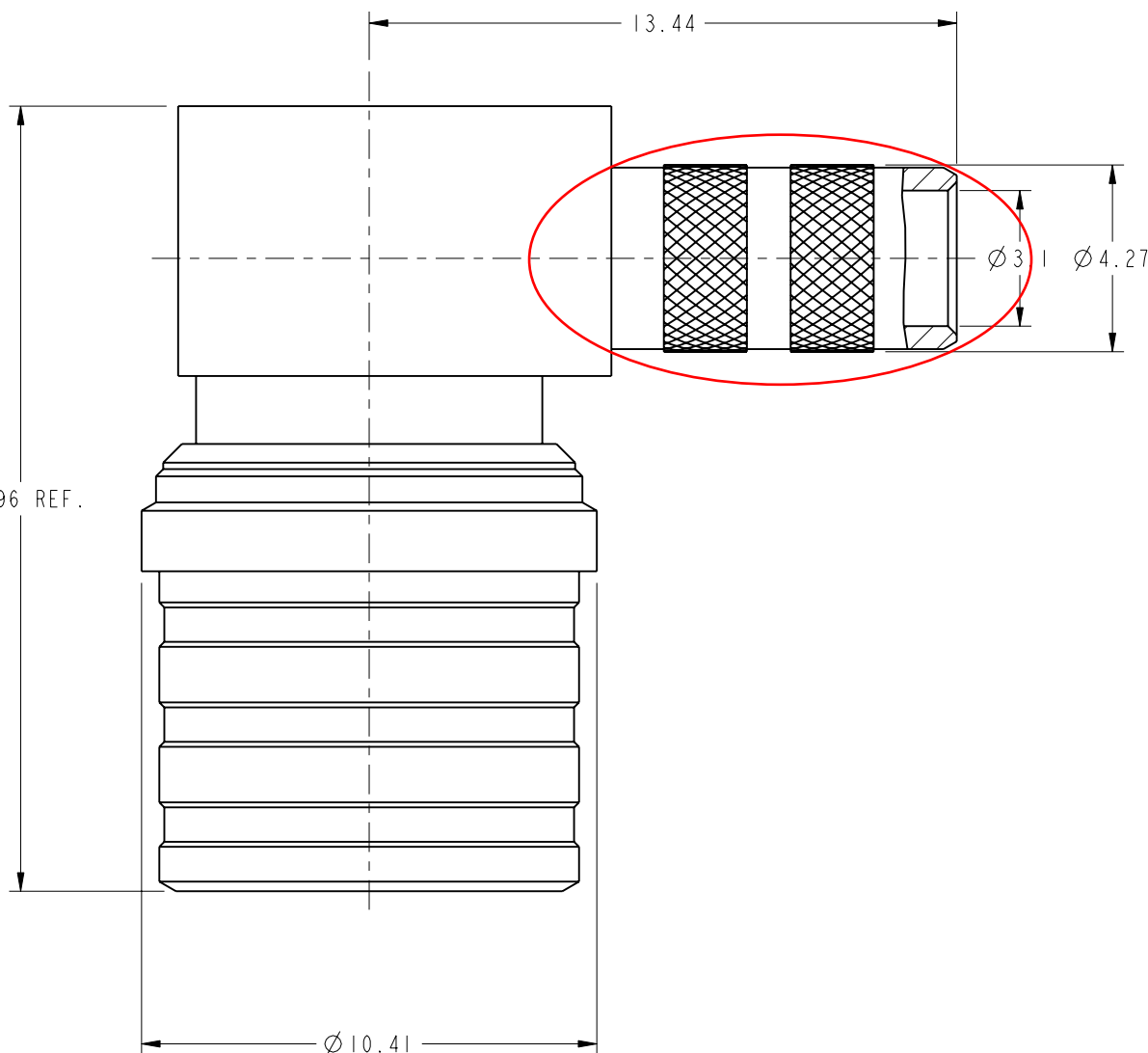
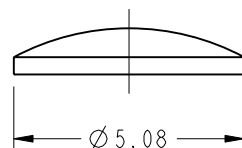
THIRD ANGLE PROJ.

REVISIONS

REV	DESCRIPTION	DATE	ECO	APPR
A	RELEASE TO MFG.	24-May-11		LQ



SCALE 2.000



RECOMMENDED CABLE STRIPPING DIMENSIONS

CUSTOMER OUTLINE DRAWING

ALL OTHER SHEETS ARE FOR INTERNAL USE ONLY

UNLESS OTHERWISE SPECIFIED, DIMENSIONS ARE IN METRIC AND TOLERANCES ARE: 0.5 - 6mm ±0.1mm 6 - 30mm ±0.2mm 30 - 120mm ±0.3mm ANGLES ±1°	MATERIAL	DRAWN L.QIN	DATE 31-May-11	TITLE QMA 50 OHM R/A PLUG (FOR RG-142A/U, 223/U, 400/U, 55/U CABLE)			Amphenol RF Danbury CT USA, Tainan, Taiwan, Shenzhen, China www.amphenolrf.com			
	REFERENCE 1134 AND	ENGINEER F.WANG	DATE 31-May-11							DRAWING NO. QMA1112A1-AT30GS-223U-50
NOTICE - These drawings, specifications, or other data (1) are, and remain the property of Amphenol corp. (2) must be returned upon request; and (3) are confidential and not to be disclosed to any person other than those to whom they are given by Amphenol Corp. the furnishing of these drawings, specifications, or other data by Amphenol Corp., or to any other person to anyone for any purpose is not to be regarded by implication or otherwise in any manner licensing, granting rights to permitting such holder or any other sperson to manufacture, use or sell any product, process or design, patented or otherwise, that may in any way be related to or disclosed by said drawings, specifications, or other data.	CONFIGURATION LEVEL: <input type="checkbox"/> <input type="checkbox"/>	APPROVED S.HSIEH	DATE 31-May-11	SCALE: 6.0:1.0	SHEET 2 OF 2	ITEM NO. 701112AAA26AR5F				
	FINISH	I:\QMA\QMA1112A1-AT30GS-223U-50	CAD FILE	DWG SIZE B	CODE ID 74868	REV A	PART NO.			