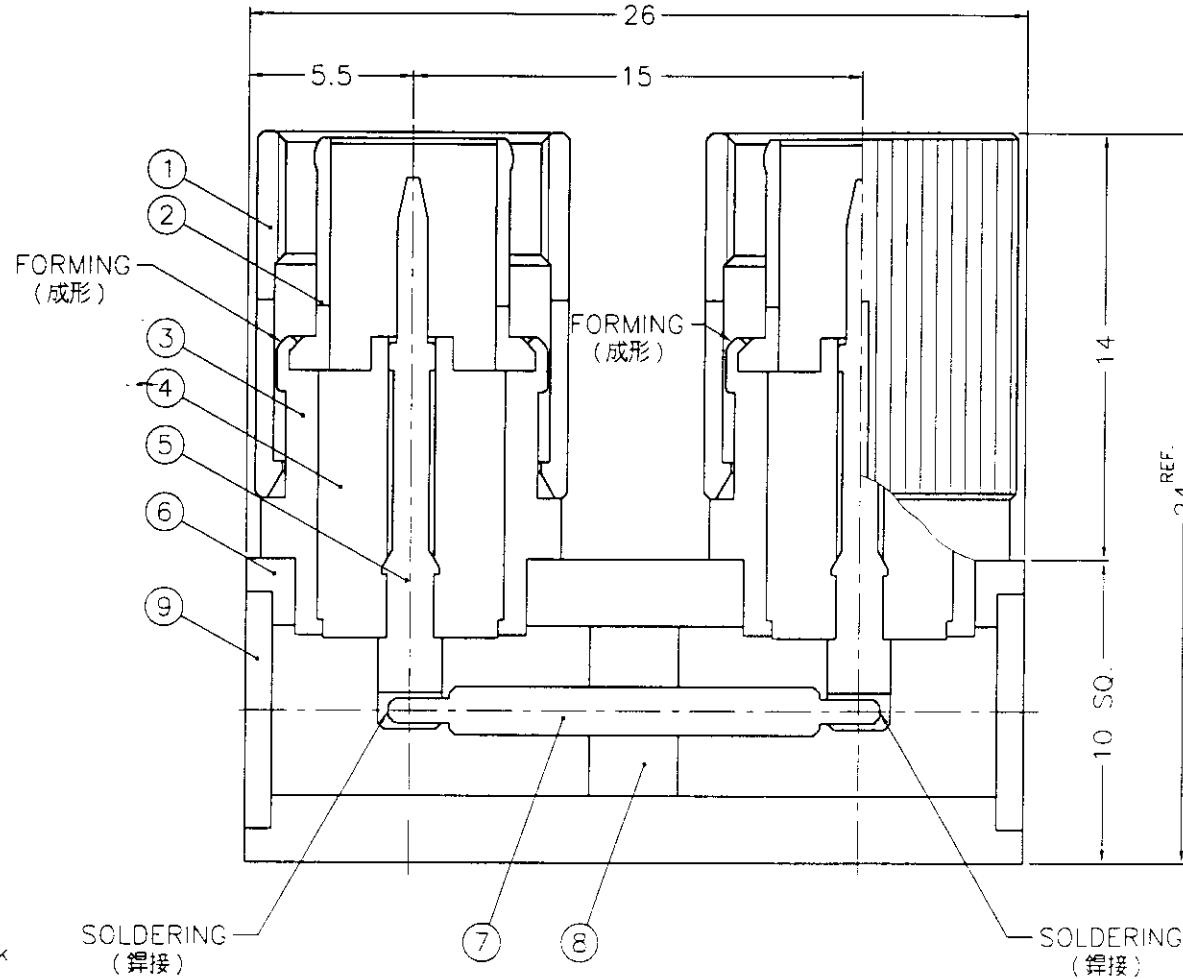


REVISIONS		
ISS	ZONE	DESCRIPTION\PER REQUEST\DATE
B	A-2	NO.4 WAS CHANGED\TONY. T\12-03-98'
C	A-1	NO. WAS CHANGED\RD-DM88031601B\03-16-99'



- NOTES: FINISH (PLATING THICKNESS IN MICRO-INCHES)
1. BRASS PER QQ-B-626
 2. BRASS PER QQ-B-613
 3. NICKEL PL. 100 MIN. THICK OVER COPPER STRIKE
 4. PHOSPHOR BRONZE PER QQ-B-750
 5. GOLD PL. 3 MIN. THICK OVER NICKEL PL. 100 MIN. THICK OVER COPPER STRIKE
 6. TEFLON MIL-P-19468

9	COVER	NOTE 2	NOTE 3	2	CV-895X07-T
8	INSULATOR	NOTE 6	NATURAL	1	1562076A1-8
7	PIN	NOTE 1	NOTE 5	1	1562076A1-7
6	HOUSING	NOTE 1	NOTE 3	1	1562076A1-6
5	CONTACT PIN	NOTE 1	NOTE 5	2	156112A1-6
4	INSULATOR	NOTE 6	NATURAL	2	1562076A1-4-B
3	BODY	NOTE 1	NOTE 3	2	1562076A1-3
2	OUTER CONTACT	NOTE 4	NOTE 5	2	1561121G1-2
1	SHELL	NOTE 1	NOTE 3	2	1561121G1-1-B
NO.	DESCRIPTION	MATERIAL	FINISH	Q'TY	DRAWING NO.

DIMENSIONS ARE IN MILLIMETERS

UNLESS OTHERWISE SPECIFIED TOLERANCES

0.5-6 = ±0.3
 6-30 = ±0.4
 30-120 = ±0.6
 120-315 = ±1
 315-1000 = ±1.6
 1000-2000 = ±2.4

PART NO	
APPROVED	DATE
CHECKED	DATE
DRAWN	DATE

Mark C
Mark C
Betty S

KAI JACK INDUSTRIAL CO., LTD. TAINAN TAIWAN R.O.C.	
TITLE	1.6-5.6 MALE TO MALE U-LINK ADAPTOR
DRAWING NO	KJ-1562076A1-N/3GT3G-75
FILE NO.	F:\DWG\156\2076A1\75\N3GT3G

8/27/2002